

Caravan Damp Report

t: 01484 683636 | m: 07850 426810 | e: enquiries@aaautovanleisure.com

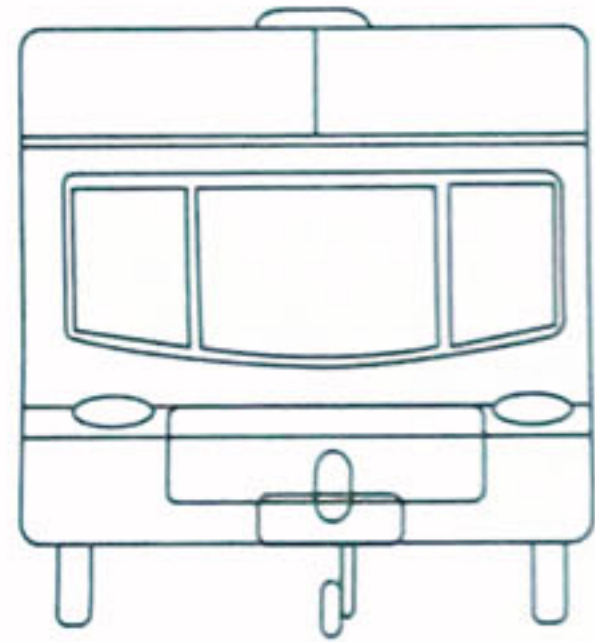


**AA AUTOVAN
LEISURE LTD**
CARAVAN SERVICING AND REPAIRS

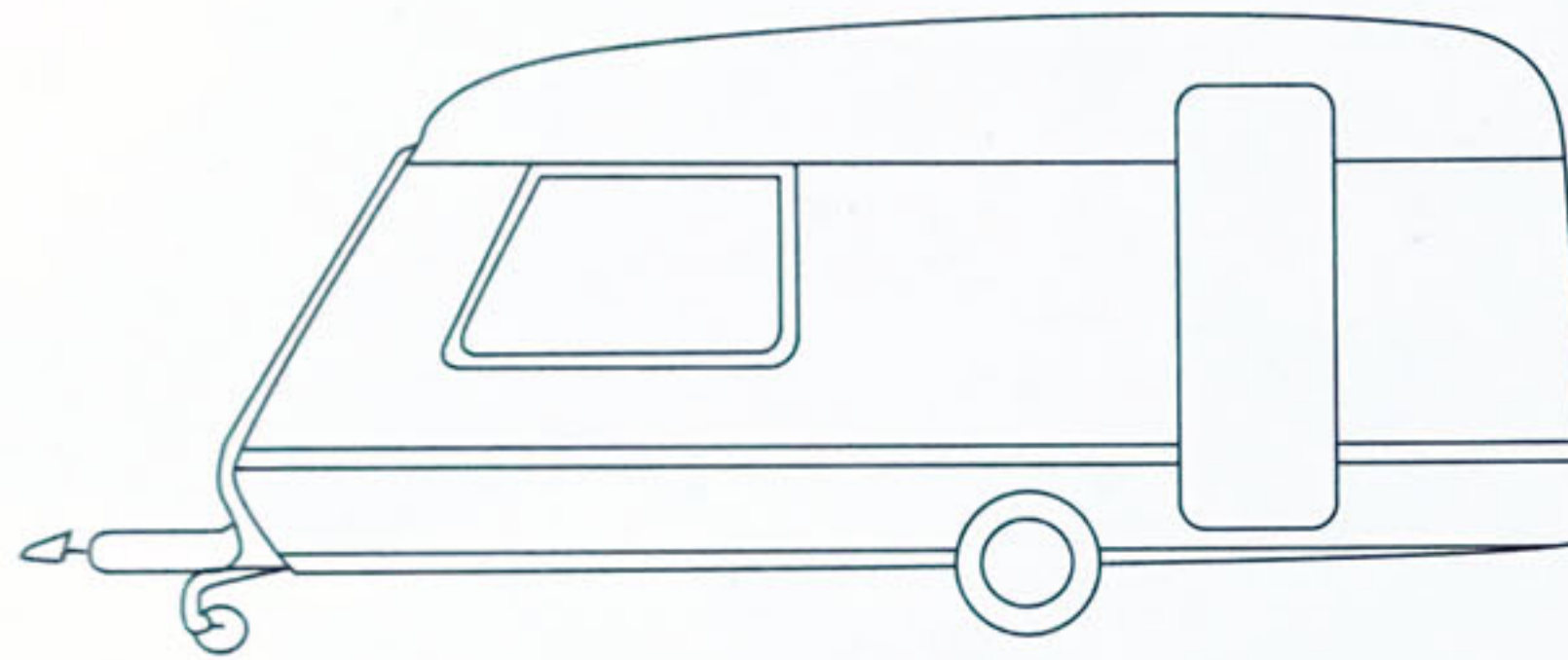
Customer:

Make/Model:

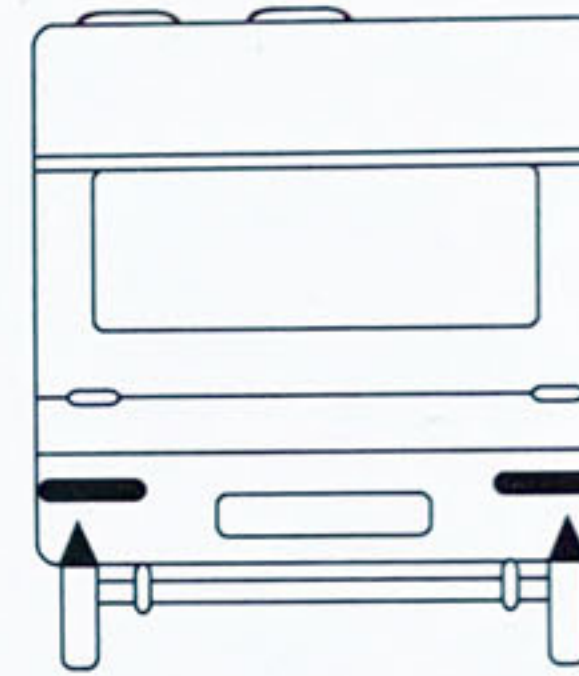
VIN:



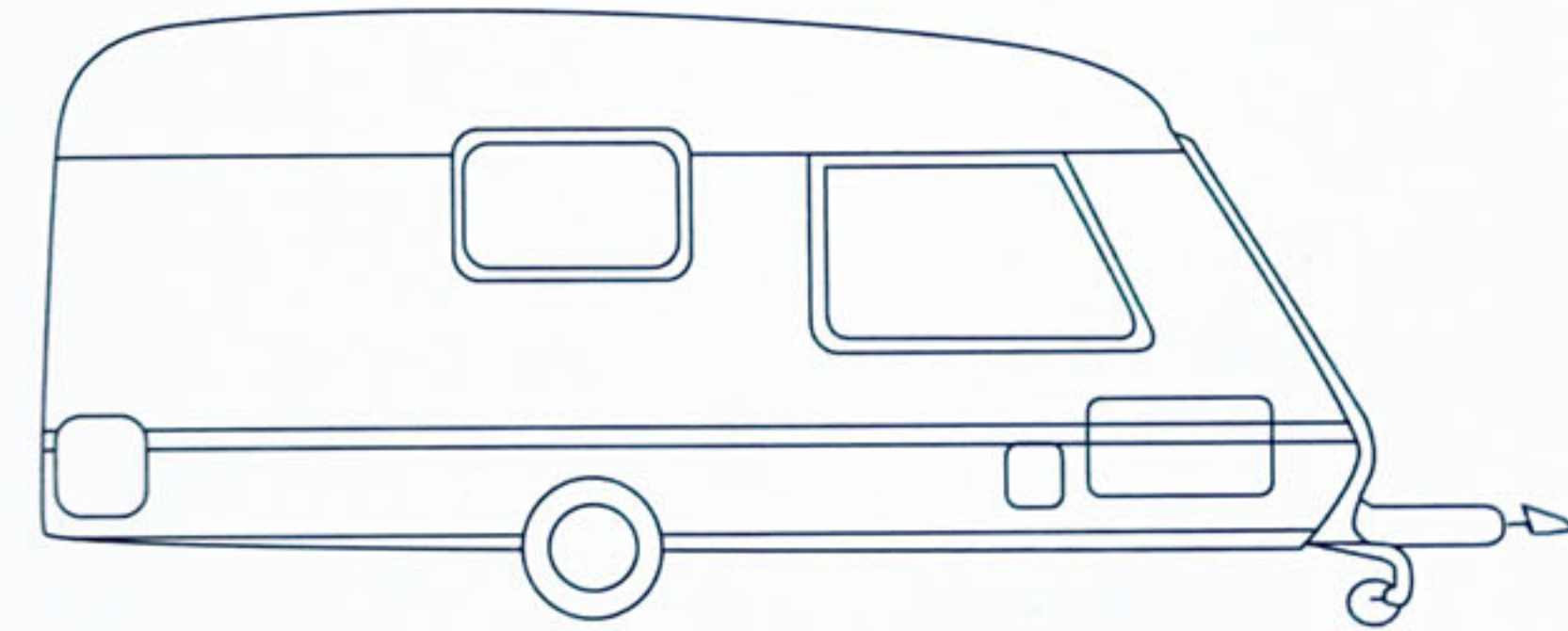
Front



Left



Back



Right

GUIDANCE NOTES

Readings between 0 - 15% are not a cause for concern.

Readings between 15 - 20% require further investigation when compared with the average of all readings taken. Consideration should be given re-checking the area in 3 months.

Readings from 20 - 30% are evidence of ingress. This needs detailed investigation of the signs of water ingress or moisture. Again, consideration should be given to re-checking the area in three months.

When readings go above 30% serious structural decay may be occurring. Strip out affected areas.

Comments:



Service Engineer: <input type="text"/>	Date: <input type="text"/>
--	----------------------------